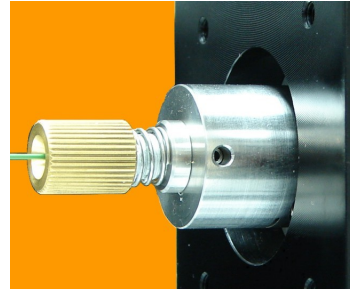


SPINDLES AND CHUCKS

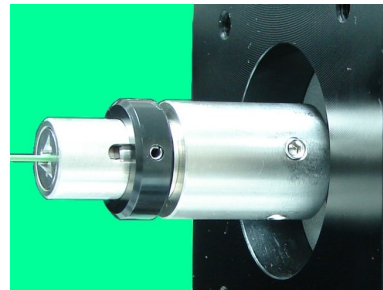
Innova Design provides a single type of standalone direct drive spindle (sDDS) and various types of sample holding chucks. All chucks can be interchangeably mounted on the motor shaft of the DDS.



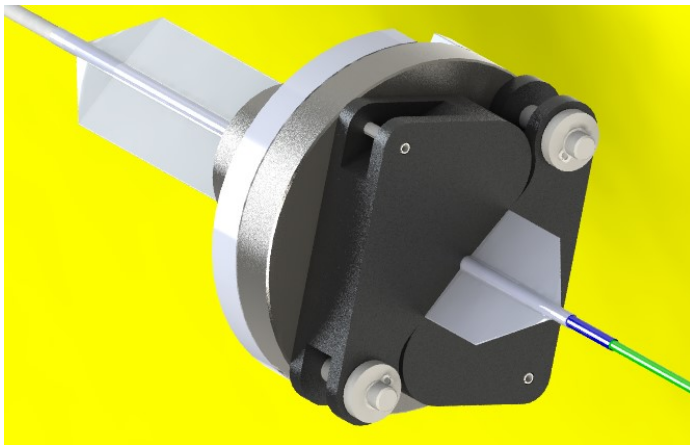
Segmented chuck with 0-1/4" opening



Touhy borst chuck



3-Jaw gapless micro chuck



Two jaw balloon chuck



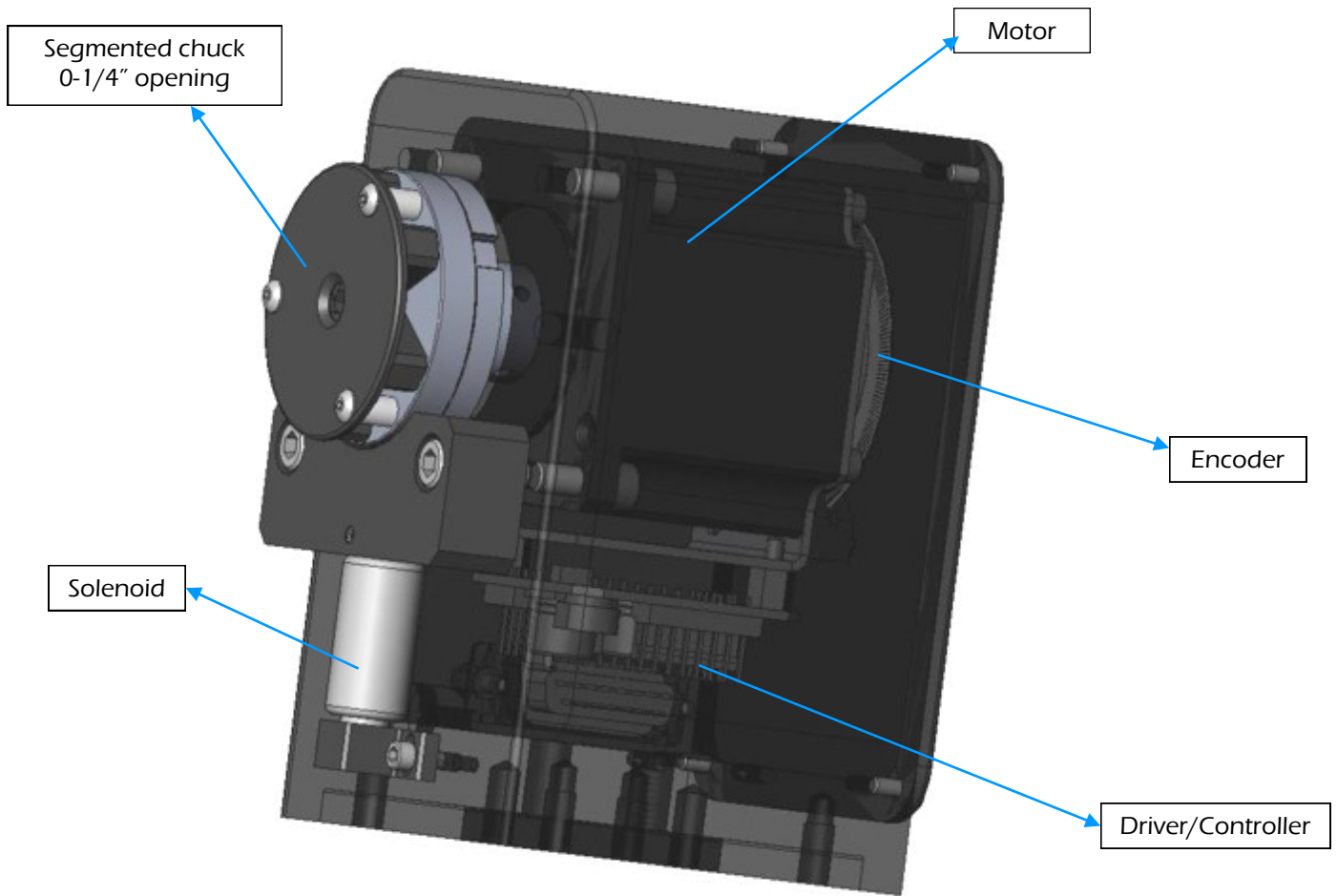
Luer lock chuck

INNOVA DESIGN, INC.

9883 Pacific Heights Blvd, Suite A
San Diego, CA 92121
USA

Phone: (858)535-9389
E-mail: info@laser-bonder.com





Advanced direct drive spindle DDS200 + large opening segmented chuck and powered close/open fixture maximize the efficiency of laser bonding by providing more efficient sample loading/unloading. Instead of using a push button to perform powered close/open action, a foot switch is provided to release the hand to hold the samples during loading. Spring action will keep the chuck close against the tubing sample. No calibration of opening is required.

INNOVA DESIGN, INC.

9883 Pacific Heights Blvd, Suite A
San Diego, CA 92121
USA

Phone: (858)535-9389
E-mail: info@laser-bonder.com

